

RF Power Transistor Part Number: HVV1011-600

Evaluation Kit Part Number: HVV1011-600-EK

Note: The Gerber file can be downloaded at www.adsemi.com for most test fixtures or contact us at sales@adsemi.com

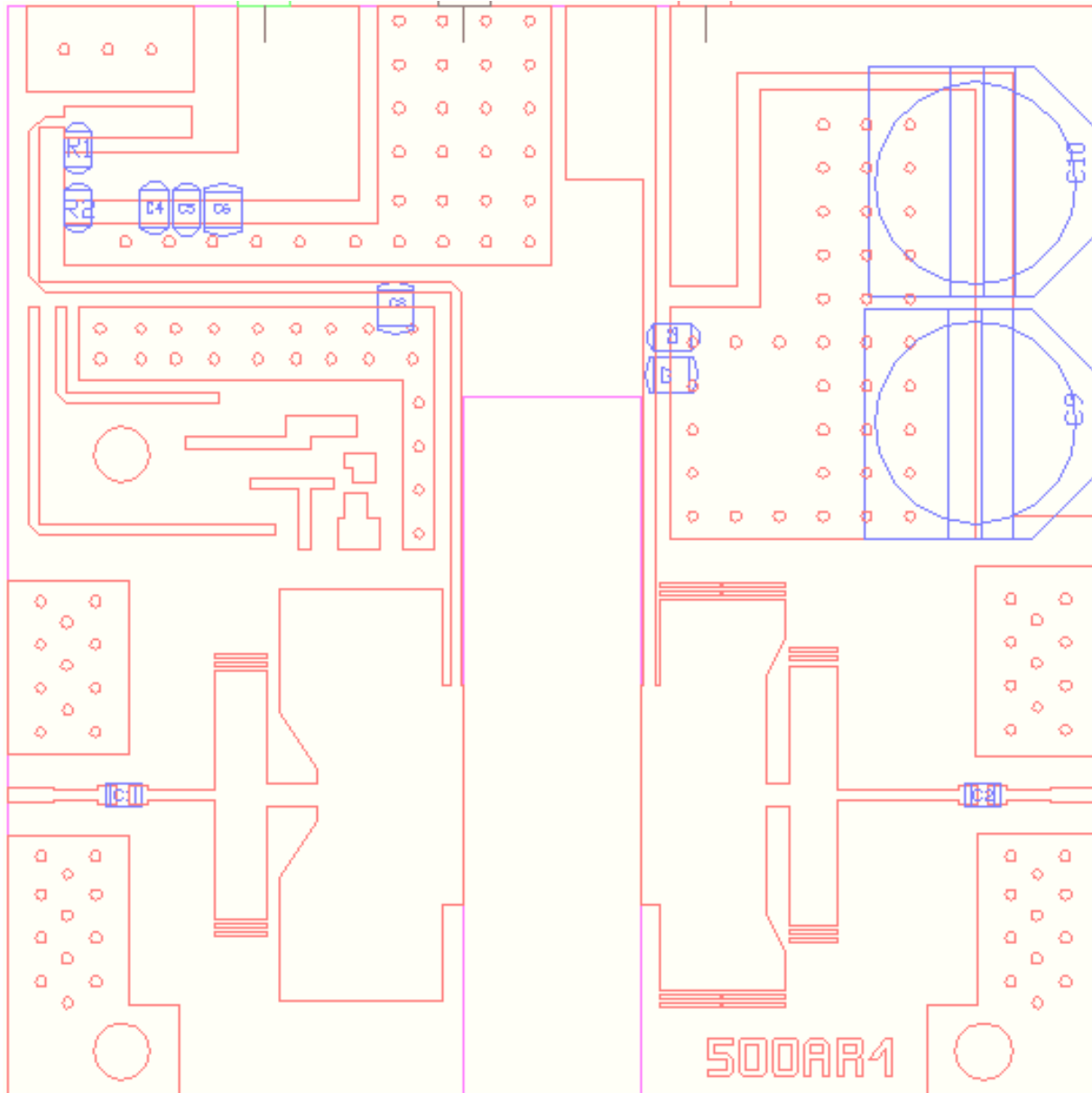
Contents:

- PCB Component Placement Diagram
- Bill of Materials
- Heat Sink Drawing

HVV1011-600-EK

600 Watts, 50V, 1030-1090MHz,

50 μ s Pulse, 2% Duty



PCB Component Placement Diagram

HVV1011-600-EK

600 Watts, 50V, 1030-1090MHz,

50µs Pulse, 2% Duty

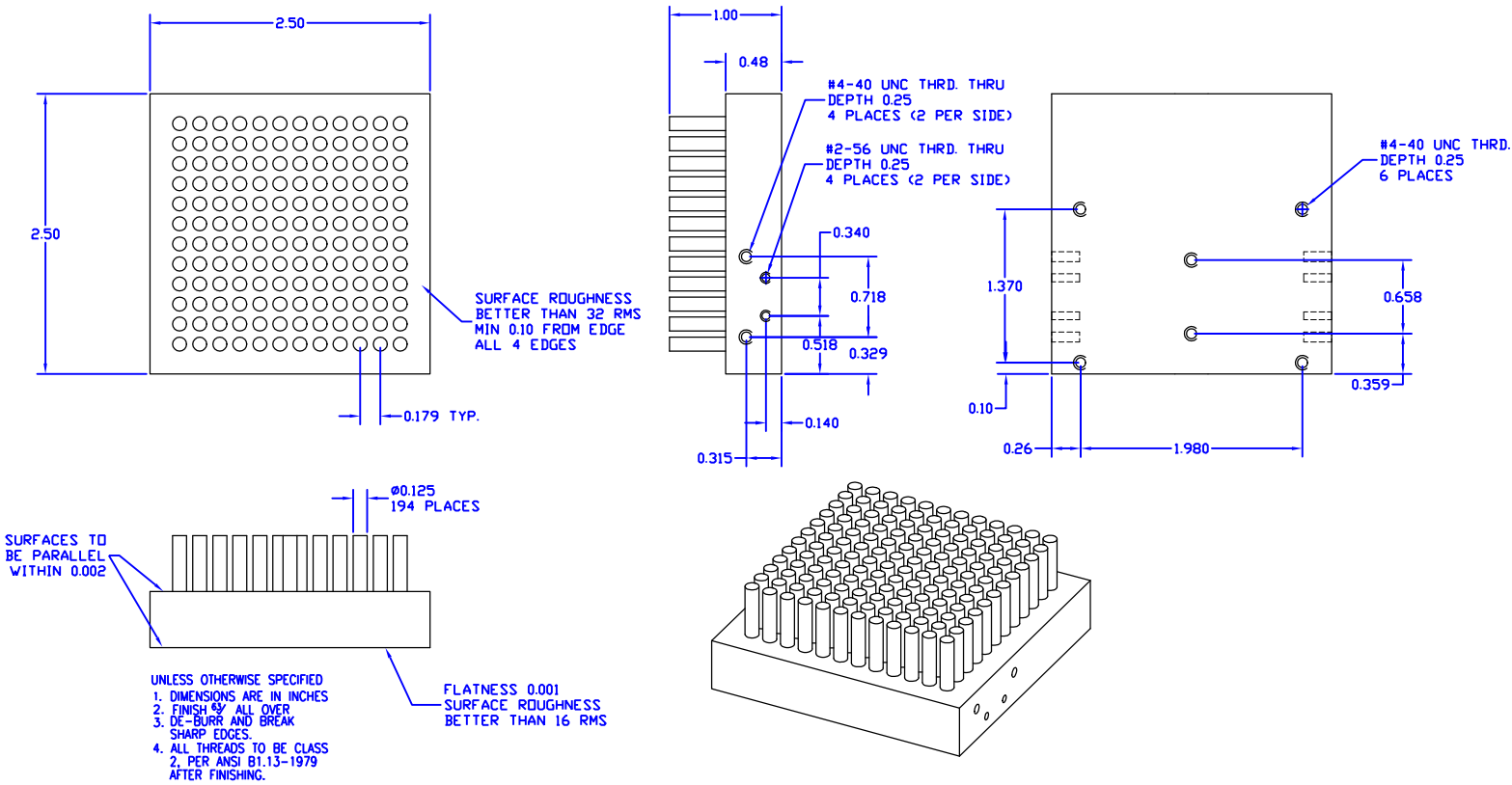
Part	Description	Part Number	Manufacturer
C1, C2:	39 pF AVX 805 Chip Capacitor	712-1388-1-ND	Digi Key
C3,C7:	39 pF ATC 1210 100B Chip Capacitor	478-2646-1-ND	Digi Key
C4:	1K pF 100V Chip Capacitor (X7R 1206)	399-1222-2-ND	Digi Key
C5, C8:	10K pF 100V Chip Capacitor (X7R 1206)	399-1236-2-ND	Digi Key
C6:	10 uF 6V Tantalum SMD	478-3134-1-ND	Digi Key
C9, C10:	220 uF 63V Elect FK SMD	PCE3484TR-ND	Digi Key
R1:	470 Ohms Chip Resistor (1206)	311-470ERCT-ND	Digi Key
R2:	100 K Ohms Chip Resistor (1206)	311-100KERCT-ND	Digi Key
RF Connectors	Type "N" RF connectors	5919CC-TB-7	Coaxicom
DC Drain Conn	Connector Jack Banana Nylon Red	J151-ND	DIGI-KEY
DC Ground Conn	Connector Jack Banana Nylon Black	J152-ND	DIGI-KEY
DC Gate Conn.	Connector Jack Banana Nylon Green	J153-ND	DIGI-KEY
PCB Board	PCB: 25 mils thick, 10.2 Dielectric, 1 oz Copper		DS Electronics
Device Clamp	HV800 Package Nylon Clamp Foot	FXT000116	Cool Innovation
Heat Sink	Cool Innovations Aluminum Heat Sink	3-252510RS3411	Cool Innovation
S.S. Screws (4)	4-40 X 1/4 Stainless Steel Socket Hex Head	P242393	Copper State Bolt
Alloy Screws (4)	4-40 X 1/2 Alloy Socket Cap screw Hex	SCAS-0440-08C	Small Parts Inc
Metal Washer (6)	#4 Washer Zinc PLTD Steel Lock	ZSLW-004-M	Small Parts Inc
Alloy Screws (2)	4-40 X 3/4 Alloy Socket Cap Screw Head	SCAS-0440-12M	Small Parts Inc

Bill of Materials

HVV1011-600-EK

600 Watts, 50V, 1030-1090MHz,

50µs Pulse, 2% Duty



Heat Sink Drawing

NOTES:

1. MATL: ALUMINUM ALLOY
2. DEBURR SHARP EDGES
3. PLATING: ELECTROLESS NICKEL
4. WEIGHT: TBD